



# USER'S MANUAL

Single Output DC Bench Power Supplies  
with Large Digital Display

**APS-3310 / APS-3610**



## General Description:

Your new DC Regulated Power Source provides accurate & stable DC power. It is ideal for test benches, laboratories, schools & repair facilities. The multi-turn voltage control knob helps the user accurately dial in a precise voltage. It is easy to read digital outputs (voltage & current) through a large display accurately. It incorporates SMT PC boards and a cooling fan for reliable performance.

## Features:

- \*SMD adhesive sheet element technology for internal PCB construction
- \*Attractive digital display shows voltage & current
- \*A cooling fan
- \*High precision voltage regulation
- \*Progressive current regulation
- \*Dual terminal system. Safety test style or expandable screw terminals
- \*Overload protection circuit
- \*Low ripple voltage: <1mVp-p
- \*Output polarity: positive or negative
- \*Rugged reinforced metal frame construction

## Specifications:

	Voltage	Current	Display	Ripple&Noise
APS-3310	0-30VDC	0-10A	10mV 10mA	1mV rms
APS-3610	0-60VDC	0-10A	10mV 10mA	3mV rms

## Description:

Utilizes SMD technology

Light and Compact

Output Polarity: Positive and Negative

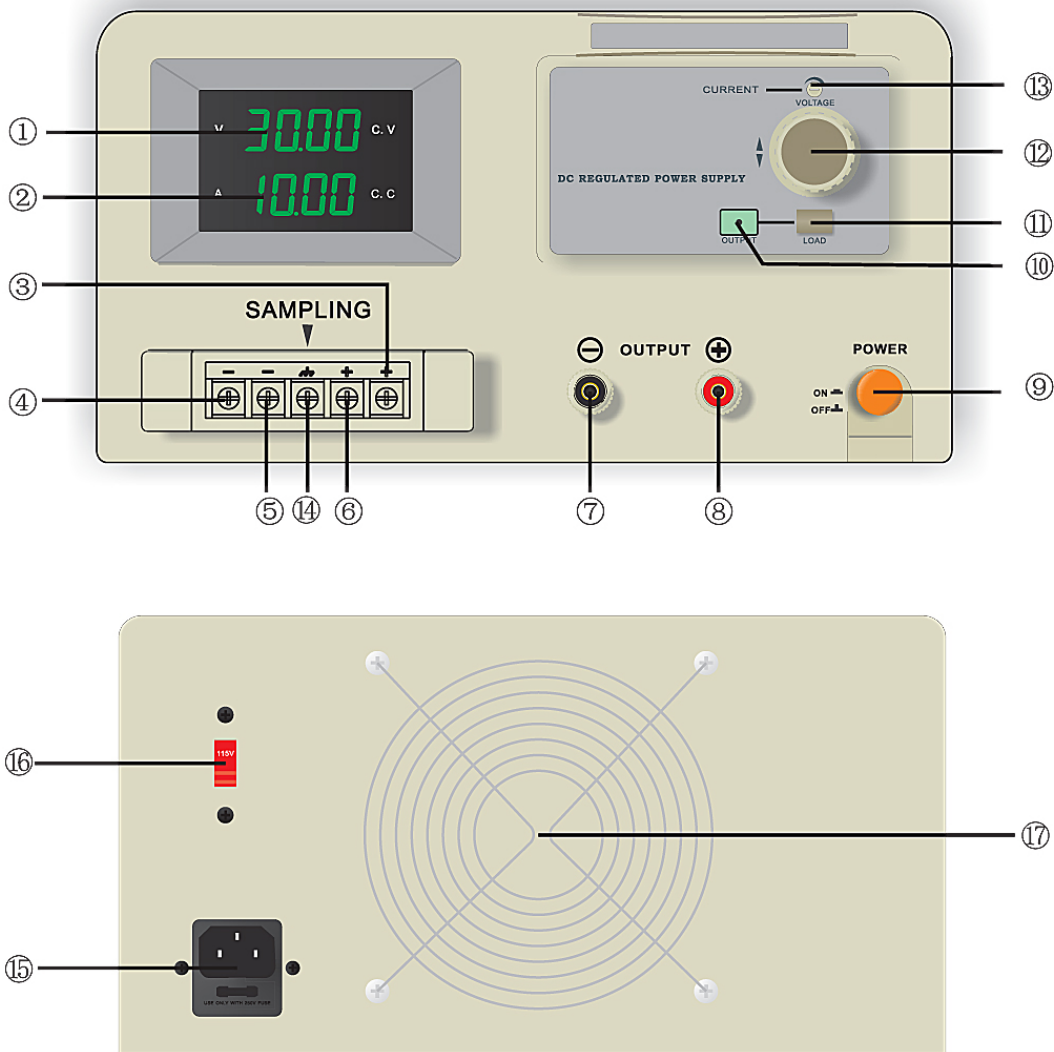
Digital Display shows Voltage and Current value

Overload Protection Circuit

Applicable for School, Production Line, Laboratory and Maintenance

## Technical:

Input Voltage	AC 110V/220V 50Hz/60Hz
Dimensions(WxHxD)	10.4x5.5x14.2in / 265×140×360 mm
Weight	35-38 lb/ 16-17 kg

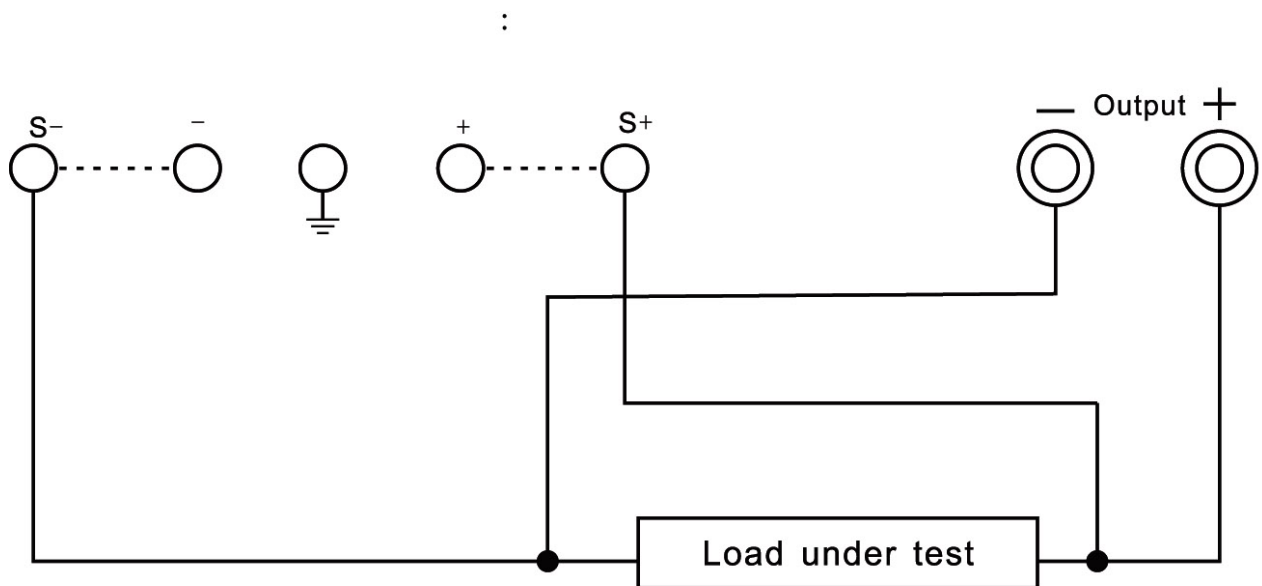


- |                           |                             |
|---------------------------|-----------------------------|
| 1. Voltage indication     | 8. +Output terminal         |
| 2. Current indication     | 9. Power switch             |
| 3. +S output port         | 10. Output light            |
| 4. -S output port         | 11. Output switch           |
| 5. -Output port           | 12. Voltage adjustment Knob |
| 6. +Output port           | 13. Current adjustment pot  |
| 7. -Output terminal       | 14. Chassis ground          |
| 15. Grounding Power Cable | 16. Transfer switch         |
| 17. Cooling fan           |                             |

## Operating Instructions:

1. Press the power on/off button to turn power on.
2. Adjust the voltage knob to set the desired voltage. (Voltage level is shown on the digital display)
3. Adjust the current level pot with a small regular screwdriver to set the (maximum) desired current level. (The current of the power supply is set to be the maximum at the factory)
4. Connecting a load to the output terminals and pressing the output switch will illuminate the output indicator light and the current output can be read on the digital display.
5. The sampling terminals are not often used. Use them under the following conditions: If the load has a distance from the power supply, the sampling terminals may be used to compensate for the inherent when using voltage drop a longer power line.

## Sampling connection diagram:



**Attention:** Disconnect the installed S- and S+ shorting wires when using the sampling connections.