



ASE-4202

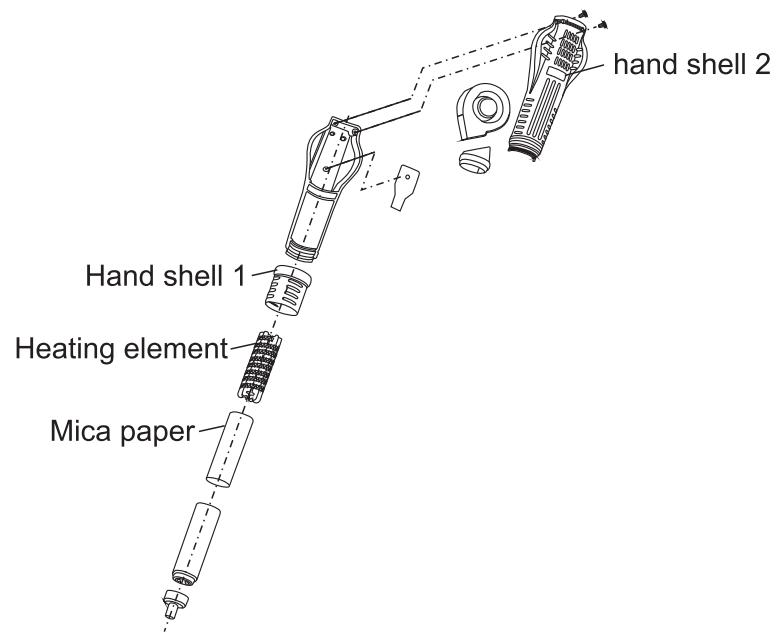
THERMO-CONTROL DIGITAL-DISPLAY & ANTI-STATIC

**SOLDER STATION
& SMD REWORK**

2in1

USER'S MANUAL

www.tmatlantic.com



Accessories list

Main device and handle of the rework station	One desk
Handle frame	One set
Soldering iron	One piece
Iron holder	One set
Power line	One article
Using manual	One piece

⚠ Thank you for choosing our products, before operation, please read this manual carefully.

ASE-4202 is a rework tools that combined heat gun and soldering station perfectly. Not only does it operate simply and comfortable, but save room largely.

Rules of Safety

Using this device, you must abide by the following measures in order not to get an electric shock, result in damages to people or result in fire, etc.

1. In order to secure the safety of people, you must use the parts or accessories that the factory of origin certificates or recommends; or it will lead to serious aftermaths.
2. This rework station must be repaired by qualified technicians or the appointed person by us.
3. This device makes use of three-wire grounding plug, should plug it into three-hole grounding outlet. Do not change the outlet or ungrounded adapter which would lead to being bad ground.
4. be careful, for it is operated at a high temperature which is more than 400°C. Don't use it near flammable and explosive gas and objects, for the tip and the air from it are steaming-hot, which can burn people. Don't touch the heating element or spray the hot air against people.
5. When the hot air rework station starts to work, don't leave from your post.
6. When it starts to work, don't install the nozzle until the heating pipe and nozzle are cooled
7. Please keep the draughts of input and output expedites; there should be no block.
8. After using it, remember to cool the machine. You should put the handle into the handle frame. When the machine is in the waiting state, you can make the power off.
9. Do not use the iron tip to do anything except soldering. Do not make the iron beat table to Cleary the remains of flux, which will damage the iron badly.
10. When it was soldering, it will smoke. Please keep the work environment ventilation.

Front panel diagram

2. Power

Open the master power switch at the back panel of the device after connected the power. In the case of two heat switch closed, LED display show the rework station in waiting state with “- -1”

3. Operate

Put on the heat switch, LED display show the current open sets. Three seconds later, display the actual work state. At same time, the heat channel shows indicator lights.

4. Stop working

Put off the heat switch of current working channel, it will stop heating. If LED previously displays working state of one channel, now it shows the other channel working state or waiting state.

5. Shut down

After using it, remember to cool the machine. You should put the handle on the shelf. When the machine is in the waiting state, you can make the power off, which will extend the service life of soldering station & SMD rework. If you don't use it, you should put the heat switch and master power switch at the back panel off.

6. Digital display conversion

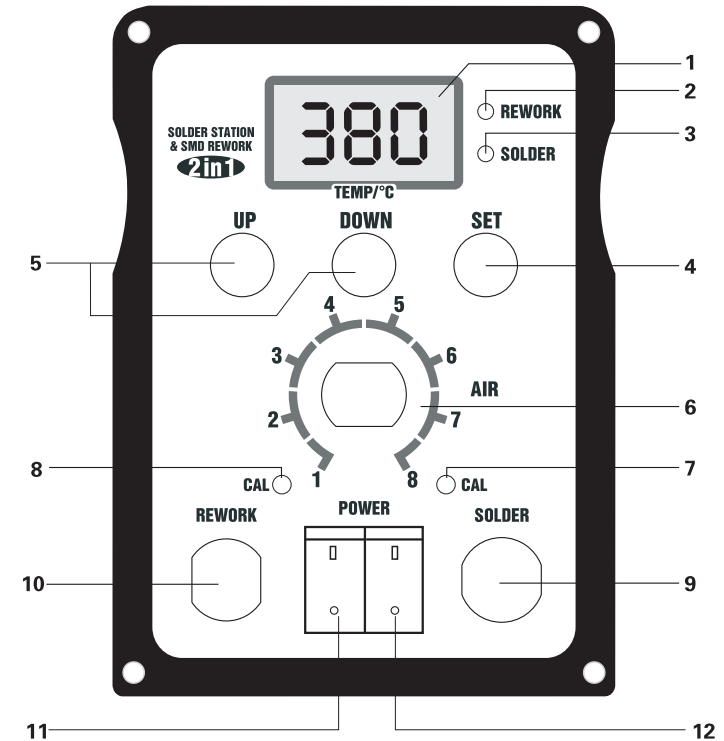
On the condition of connected power, push the “SET” cord to transform between the two channels, and the connected channel show indicator lights.

7. Temperature setting

After connected power, if the display shows the state you need, you can directly press the “up” or “down” cord to converse the temperature of this channel. If not, you should press “SET” cord, then press “UP” or “DOWN” cord to converse temperature. Accomplish the display settings, three seconds later, display shows the actual work state.

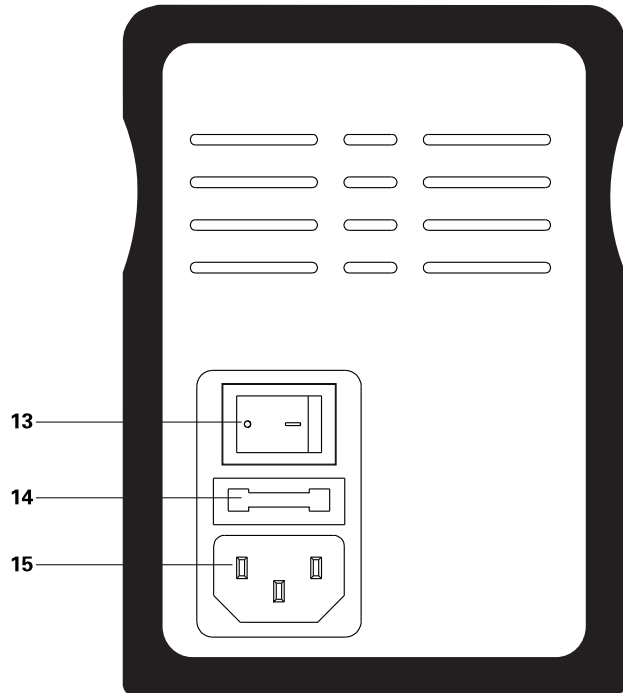
8. The waiting state of hot air rework

If you do not use this device temporary and please put the handle on the handle frame, the device will cut down hot air. When the temperature is less than 100°C, the rework station becomes in waiting state. Now the state of LED display showing is the situation of soldering station & SMD rework. If the device come into operating state, the display will automatically converse to the state of soldering station & SMD rework, otherwise, it will show "SLP", the waiting state.



- | | |
|---|---|
| 1. Temperature display | 7. Soldering station temperature correction |
| 2. Rework station temperature display status indicator | 8. Rework station temperature correction |
| 3. Soldering station temperature display status indicator | 9. Soldering station output |
| 4. Show status switch button | 10. Rework station output |
| 5. temperature adjustable button | 11. Rework station heat switch |
| 6. Rework station hot air volume adjustable knob | 12. Soldering station heat switch |

Back panel diagram



13. Power switch

14. Fuse

15. Outlet

Technical Specification

Rated Voltage: AC220V \pm 10% 50Hz
Power: 750W (max)

Rework Station

Working Voltage: AC220V \pm 10% 50Hz
Output Power: 700W
Temperature Range: 100°C–500°C
Temperature Stability: \pm 5°C
Air Flow: 120L/min (max)

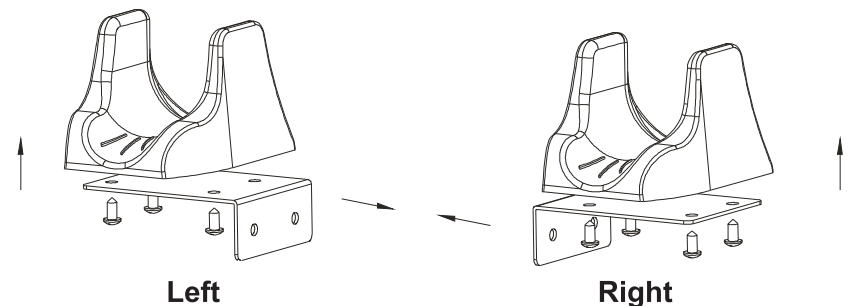
Soldering Station

Working Voltage: AC26V 50Hz
Output Power: 50W
Temperature Range: 200°C–480°C
Temperature Stability: \pm 2°C(static)
Ground Impedance: < 2 Ohm
Ground Voltage: < 3mV

Operation instructions

1. Installation

When the new machine is operated for the first time, you must install the handle frame, the picture is as follows: According to your habits, you can screw the four screws tightly. Under your need, remove the two screws of the fixed handle shelf on the right or on the left. Put the two installation holes of the handle in the fixed screw holes, and screw the two removed screws tightly. Put the components of the handle on the frame and check if suitable.



Left

Right